

Guide pins

conical, for guide bushings GN 172.1 / GN 179.1

SPECIFICATION

Steel

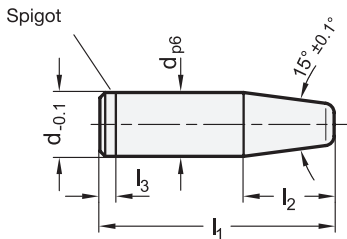
- hardened (HRC 60 +4)
- Fit sizes d p6 / d h6 ground

INFORMATION

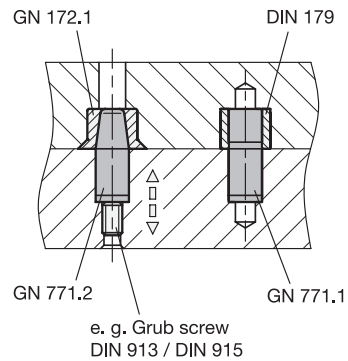
Guide pins GN 771.2 are used in combination with GN 172.1 (see page 1010) / GN 179.1 (see page 1010) guide bushings. The shaft tolerance p6 guarantees a perfect pressfit in a mounting borehole H7. The spigot l₃ makes the installation easier.

TECHNICAL INFORMATION

- ISO-Fundamental Tolerances (see page A21)



Mounting example



GN 771.2

Description	d p6	l ₁ ±0.1	l ₂ ±0.1	l ₃	⚖
GN 771.2-6-19.5-7.5	6	19.5	7.5	1.5	4
GN 771.2-8-23.5-9.5	8	23.5	9.5	2	8
GN 771.2-10-27.5-11.5	10	27.5	11.5	2	15